

Window/Door Sunburst & Header Kit

Installation Instructions

36" - 69" Kit Contains:

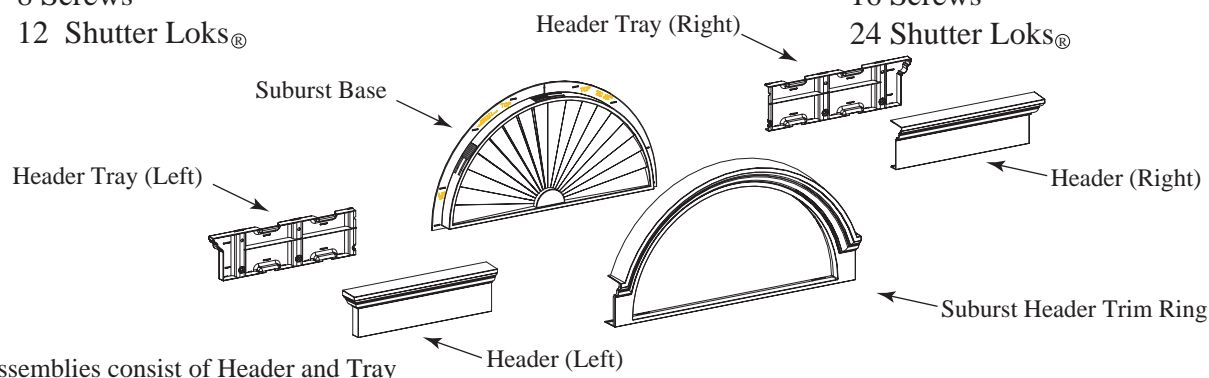
Kit Contains:

- 1 pc. Sunburst Base
- 1 pc. Sunburst Header Trim Ring
- 1 pc. 18 1/2" Header Assembly (Right)*
- 1 pc. 18 1/2" Header Assembly (Left)*
- 8 Screws
- 12 Shutter Loks®

70" - 106" Kit Contains:

Kit Contains:

- 1 pc. Sunburst Base
- 1 pc. Sunburst Header Trim Ring
- 1 pc. 37" Header Assembly (Right)*
- 1 pc. 37" Header Assembly (Left)*
- 16 Screws
- 24 Shutter Loks®

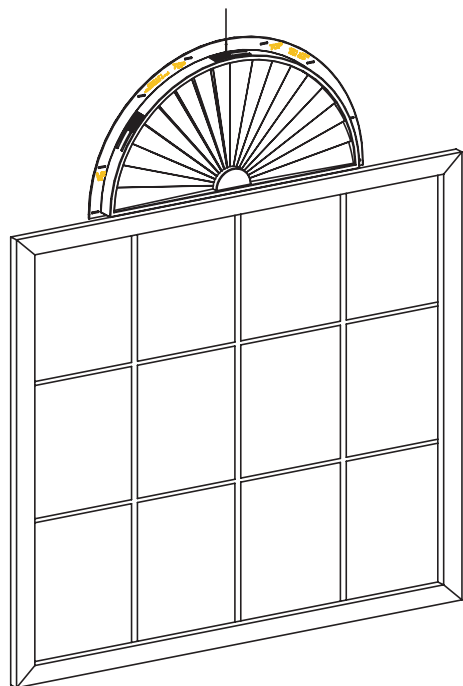


Step 1

Find the center of the window and make a vertical mark approximately 17" above the window. Then determine the highest edge of the window frame and draw a horizontal line across the top of the window 1/8" above the frame. See figure at right.

vertical line 17"
above window

horizontal line 1/8"
above trim



Step 2

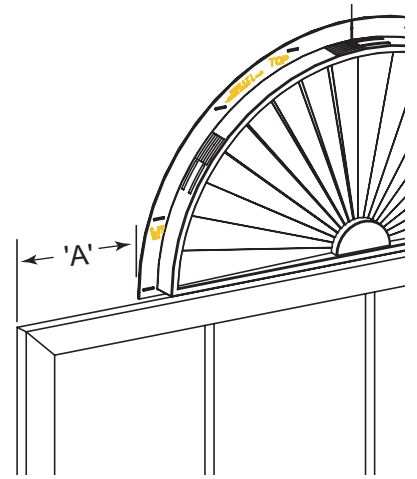
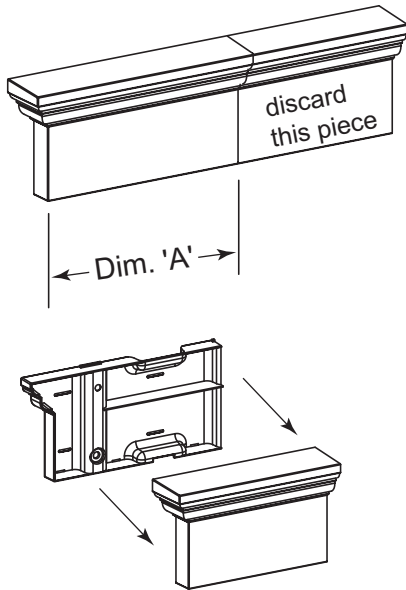
Place the bottom edge of the Sunburst Base on the horizontal line above the window. Center the Sunburst on the vertical mark above the window. Fasten Base to the wall using siding nails or screws. To allow for expansion, do not fasten too tightly. See figure at left.

Note: The siding has been omitted from the illustrations for clarity.

05-31-02
PAPC9548
I-0078

Step 3

Measure from the edge of the Sunburst Base to the point where you want the header to end (Dim. A). See figure at right. Both sides should measure the same if the Sunburst was centered correctly.



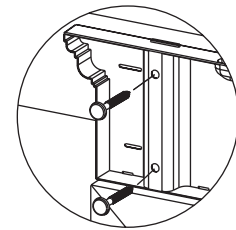
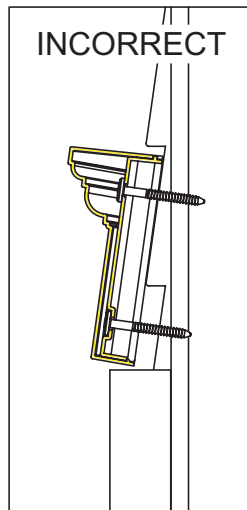
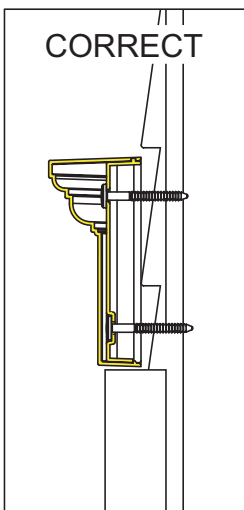
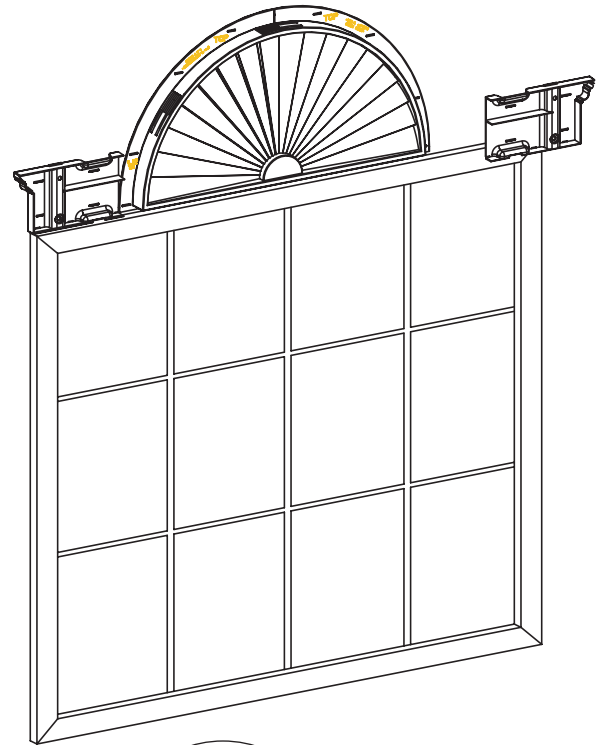
Step 4

With the Header and Header Tray assembled, cut the assembly to Dim. 'A'. See figure at left. Repeat for the other side of the sunburst.

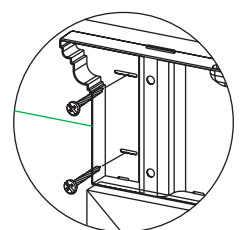
Once the Header assembly has been cut, disengage the locking tabs and remove the Header from the Header Tray. See figure at left.

Step 5

Use the elongated slots in the Header Tray and attach the base to the house using the screws provided. Alternatively, the preferred method is to use Shutter Loks. The raised portions of the Header Tray with the round holes receive the Shutter Loks. Attach Shutter Loks by drilling 1/4" holes into the wall. Be sure not to fasten the screws or Shutter Loks too tightly to allow for expansion and contraction.



Shutter Lok Installation



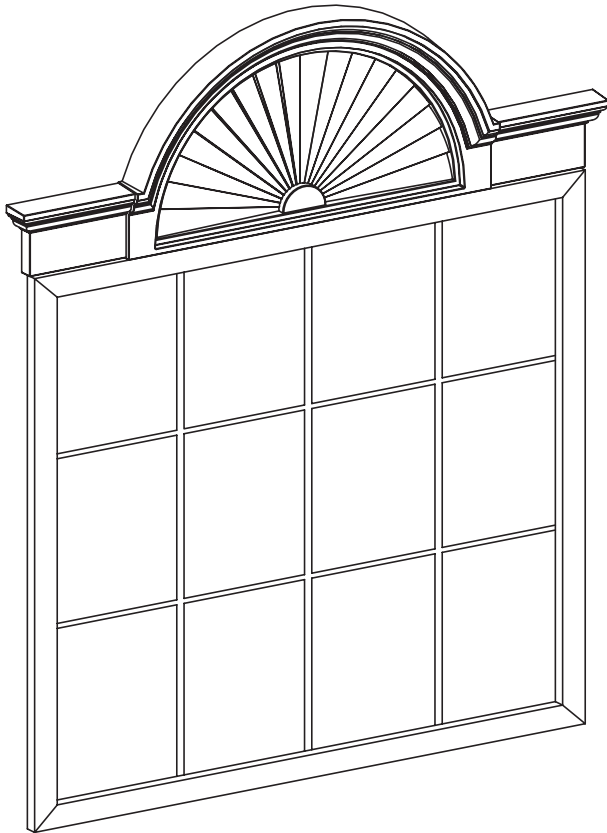
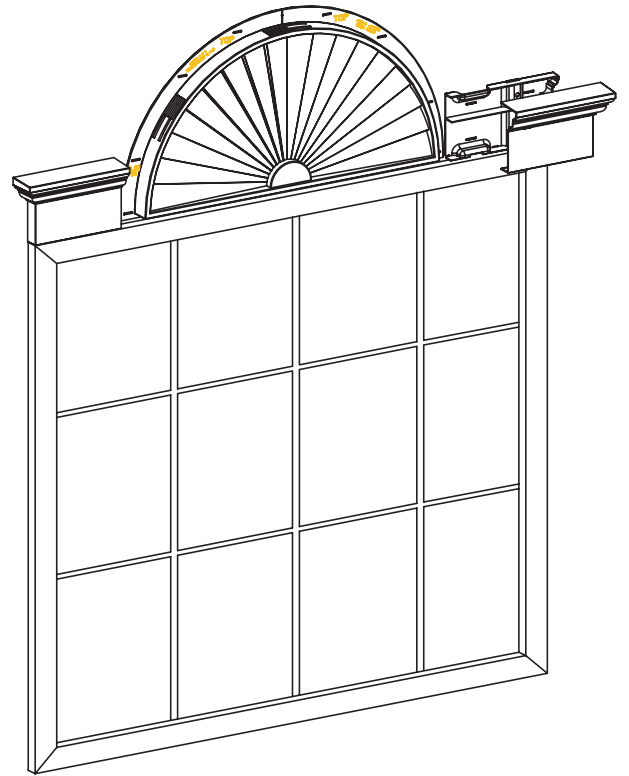
Screw Installation

Note:

The figures on the left show cross sections of the Header in place. In some instances the Header may rock on the high point of the siding. To overcome this problem, insert the screws or Shutter Loks into the wall evenly. Insert the screws or Shutter Loks evenly, working between top and bottom.

Step 6

With the Header Tray securely fasten to the wall, attach the Header by snapping it into place. See figure at right.



Step 7

Once the Headers have been securely fastened into place the Sunburst Header Trim Ring can now be attached. Snap the Sunburst Header Trim Ring over the Sunburst Base and the Header Assemblies.